

ion™
by bk resources

**ANTIMICROBIAL
HANDSINK**

**99% Reduction of
E-coli & Staph!***

Patent Pending



FEATURES:

End User

- Infused with **Silver Ions** to inhibit growth of millions of germs
- Lifetime bacteria protection – not an agent applied to outer surface
- Distinct blue sink & zone clearly defines area from food prep & dishwashing

Retailer

- Gamechanger - truly unique and differentiated - patent pending
- On-trend with need for foodborne illness solutions
- Excellent contractor item - endless installation locations

INSTALL IN:



Restaurants



Hospitality



Schools/
Hospitals



Home/Utility



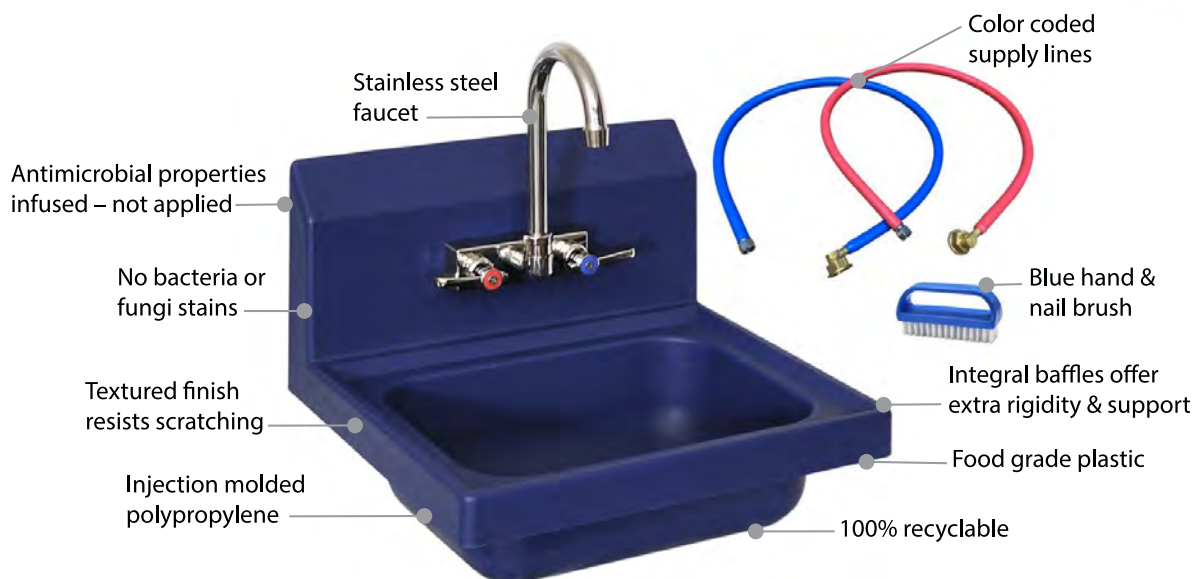
*Independent lab tests – compared to material without anti-microbial agent

Health Facts

- Handwashing is the single most important means of preventing foodborne illness.
- According to the CDC, 60% of foodborne disease outbreaks originate from restaurants.
- It is imperative to create a clearly defined contamination free handwashing zone for food handlers.
- i-on antimicrobial sink proven safe for food and drinking water contact.
- NSF certification as well as EPA & FDA approval.

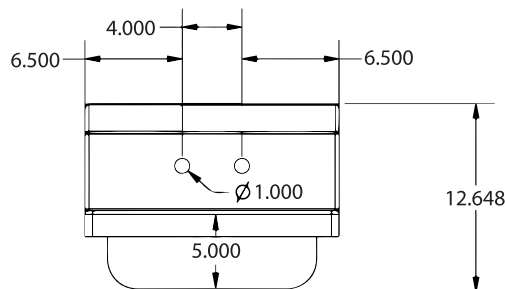
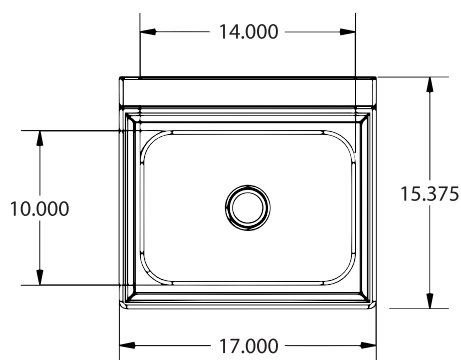
The Full Package

- Heavy duty stainless steel 4" gooseneck faucet
 - Lead free with a 10 year warranty
- NEW color coded supply lines –
 - Easy hot and cold installation
- Blue hand & nail brush
- Conveniently packaged into one full color box
 - Shelf-ready and easy to ship!
- Bowl size: 14" x 10" x 5"
 - Faucet holes: 2 | Drain included



I-ON ANTIMICROBIAL HANDSINK KIT BOX SPECIFICATIONS:

Item Number	Product Description	Case Pack	Product UPC	Box Dimen. (LxWxD)	Box Weight	Box Case Cube	Pallet (HixTi)
APHS – W1410 – WBBE	i-on Kit Box (Sink, Faucet, Drain, Supply Lines, Brush)	1/1	8 40653 13938 8	15.375" x 17" x 4"	10 lbs	1.54 cf	6x8



Maintain proper sanitation protocols in regards to hand and equipment sanitizing at all times.